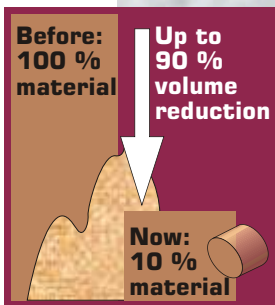


High-powered performance

Briquetting presses RB 80 - RB 160



Reinbold briquetting presses: economical - rugged - powerful

The Reinbold RB series is a technically refined range of products incorporating a number of new features. The series includes a wide variety of models and is suitable for all operations with briquetting materials.

Other features include: easy servicing, low operating costs, economical disposal of all possible materials.
Call us now to find out if your materials can be compressed as well.



Briquetting presses RB 80 - RB 160

Reinbold briquetting presses have a large volume storage tank with an integrated conveyor screw. The material is pre-compressed when it reaches the pressing block. This is where the shavings are pressed into the cylindrical pressing chamber by the hydraulic filling cylinder. The pressing cylinder compresses the shavings into compact briquettes. A constant high production rate is guaranteed by the strand length monitor.



Briquette extension (optional)

Many materials can be compressed, such as:

- Hard or soft wood, planing materials, wood chips, Shavings, and sanding dust in combination with other materials.
- Wood materials, chip board, plywood panels, multiplex, OSB Even MDF can be compressed, but only upon consultation
- Cardboard (depending upon size and structure)
- Other materials, such as straw, hay, Styrofoam..



Maximum material moisture should not exceed 18 %.

Technical features of the briquetting presses:

Large storage tank with high performance extractor unit. (also available as sliding floor discharge)

The hydraulic drive is available with an output up to 11 kW according to customer requirements. Optional extra: Oil cooling and oil temperature gauge

All movements can also be activated using the manual controls on the control box

The programmable logic controller (PLC) ensures user-friendly and fully automatic operation.

Automatic tong opening ensures problem-free and consistent briquette production

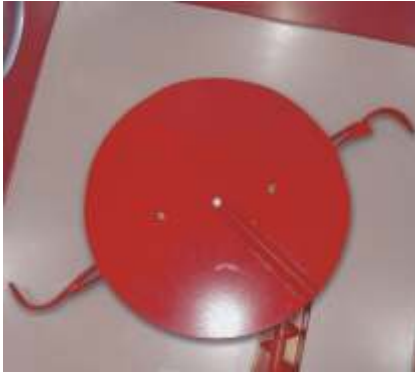
All machines are equipped as standard with hardened exchangeable pressing cylinder liners



The hydraulic pressing cylinder a special feature in briquetting systems



The technology:



The fully automatic delivery unit is installed at the base of the storage tank.

The filling level gauge (automatic ON/OFF) guarantees fully automatic operation.



Optimised pressing results are achieved with the cylindrical pressing chamber.



The strand length monitor ensures a constant, high production rate of briquettes, even after a change of materials. There is also a possibility for connecting transport pipes.

Applications:



RB 160 Specialty tandem briquetting press with large-capacity container



RB 120 with filter unit



Sliding floor discharge. This provides for individual adjustment of delivery units

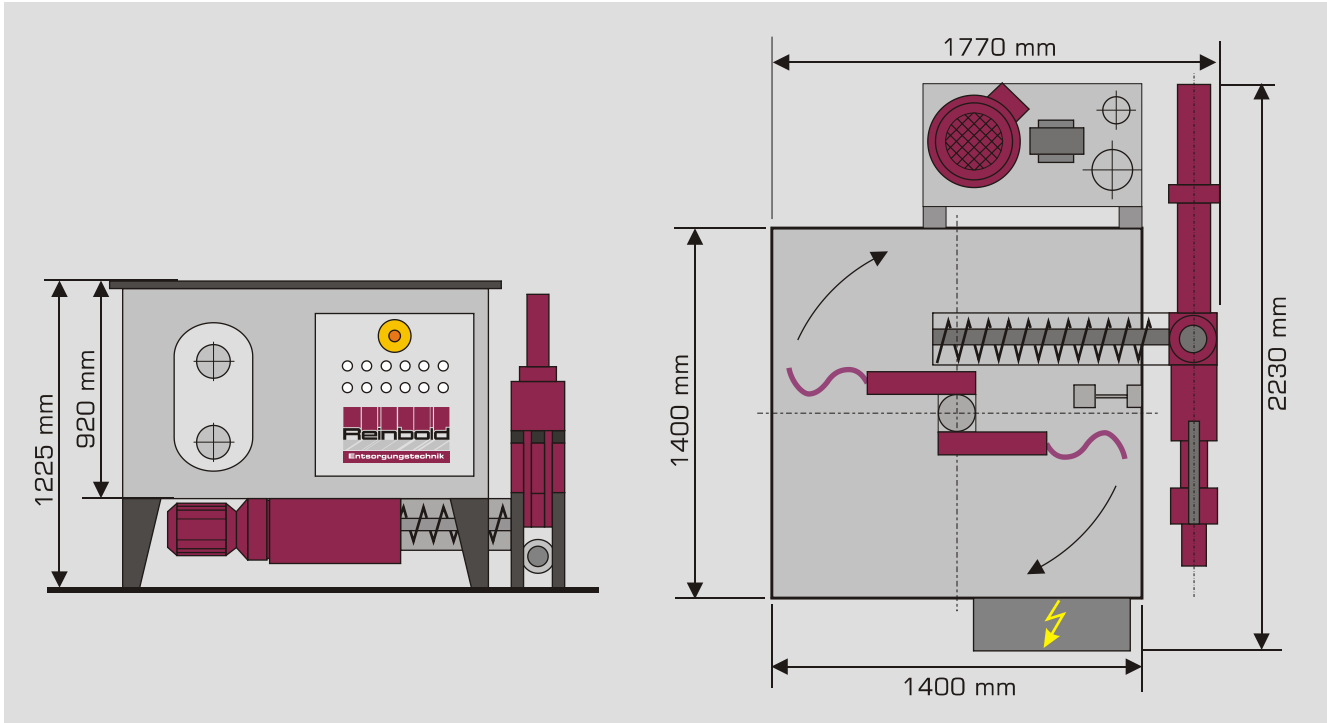


RB 160 with special purpose hopper



Briquetting presses RB 80 - RB 160

| Technical data: | RB 80 | RB 100 | RB 120 | RB 160 |
|------------------------------------|-------|--------|---------|-------------|
| Briquette diameter (mm) | 50 | 50 | 60 | 70 |
| Output (depending material) (kg/h) | 60-80 | 80-100 | 100-120 | 120-160 |
| Connected load (kW) | 5,5 | 7,5 | 7,5 | 7,5 / 11 |
| Weight (ca. kg) | 820 | 870 | 1000 | 1050 / 1200 |

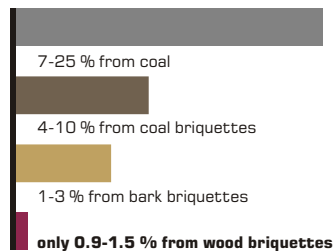


Up to 90 % volume reduction thanks to Reinbold briquetting systems

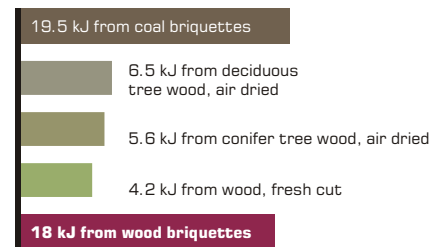
Wood chips, shavings etc. take up a lot of valuable storage space. Reduce your storage/transport costs with compact briquettes. The danger of spontaneous ignition is low when storing briquettes. They can also help to reduce general heating costs. In this way, the investment in a briquetting press soon pays for itself and Reinbold also provides the appropriate after-sales service.

A briquette is a clean, economical fuel!

Ash development in %



Heating value in kJ per room metre



2.5 kg briquettes made of wood chips = the heating value of 1l heating oil

1 metric tonne of wood shavings = the heating value of 400 l heating oil

That's how easy it is for a briquetting press to pay its way

Reinbold Entsorgungstechnik GmbH

Gottlieb-Daimler Straße 13
75050 Gemmingen (Germany)
Phone: +49 (0) 72 67 / 9140-0
Fax: +49 (0) 72 67 / 9140-12
E-mail: info@reinbold.de
Internet: www.reinbold.de

Your dealer: